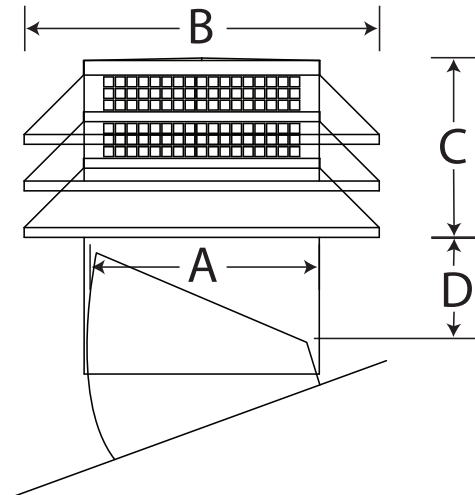


CHARACTERISTICS

- Easy-to-install, hardware included
- 26 ga. galvanized steel construction
- Adjustable base for roofs sloped from 2/12 to 18/12
- Wind deflector construction
- Maintenance free
- Polyester powder coat finish
- Standard colors : black, brown and grey
- Custom colours available upon request

DETAILS AND DESCRIPTION

- 3-wing design and openings allow for optimal attic ventilation
- Solid structure from one central cube with grid-style perforations, eliminating maintenance required by standard mesh-style openings, while still preventing rodents and birds from entering your attic
- Wind deflector construction prevents bad weather infiltration from all wind directions
- Air exchange rate is 266cfm at 4mph wind, adequately ventilating a 700 to 800 sq. ft area
- Allows for a cooler house in the summer by eliminating heat that accumulates inside the house, avoiding seepage and other problems
- 1 vent easily replaces up to 2 turbines
- Promotes a dryer attic in the winter by allowing vapor to escape rather than condensate, thus avoiding mildew and ice formation



- Saves energy all year round
- Overall design prolongs the structural integrity of your building
- Conforms to the requirements for ventilation of unrestricted attic space mandatory under the National Building Code, as described in sec. 9.19.1 and/or by ACNIR CAN#A93-M82, at a ratio of 1/300
- Limited 5-year warranty on material only, provided product was installed as per manufacturer's recommendations.

DIMENSIONS

PRODUCT	A	B	C	D	EVACUATION	STEEL GAUGE USED
R312 SERIES	30.4 cm	49.5 cm	27.9 cm	22.8 cm	11.6 m ²	26