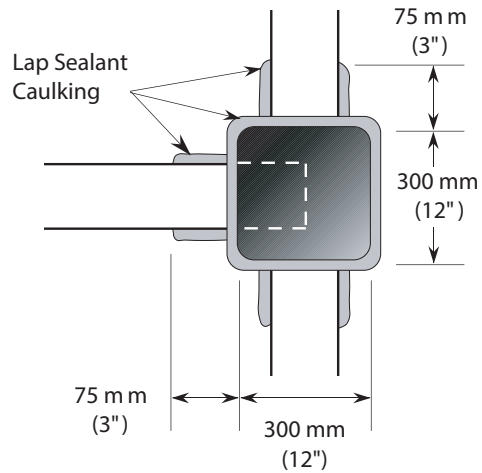
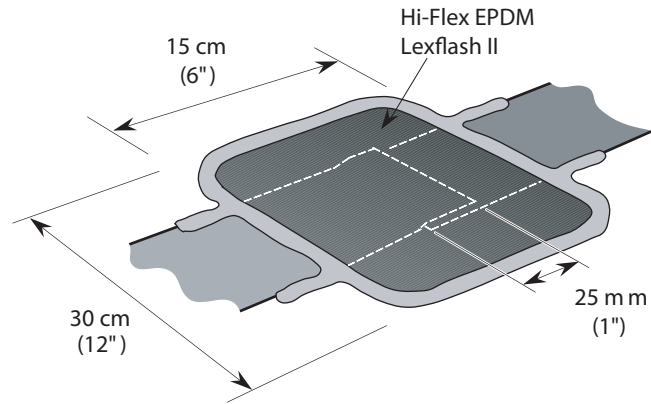


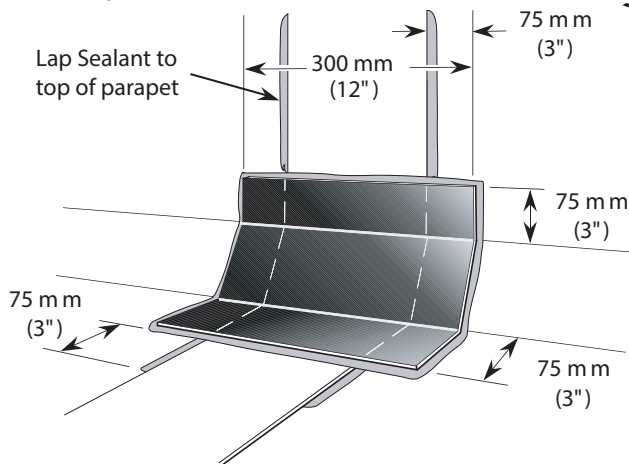
Overlay Seam Junctures



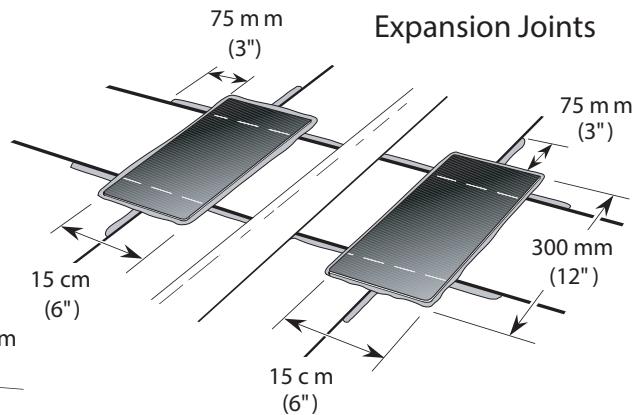
Overlay Tape Junctures



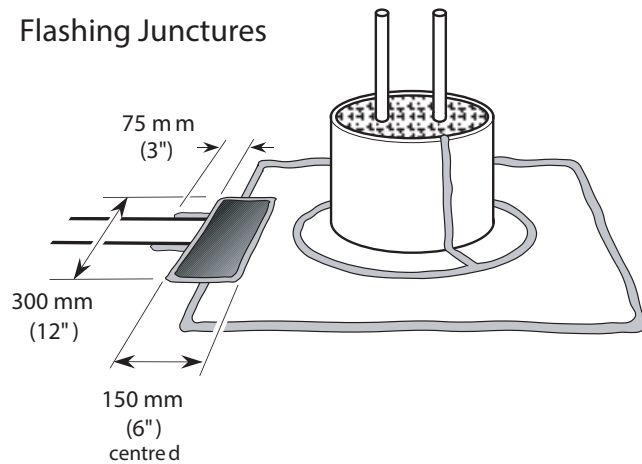
Parapet Junctures



Expansion Joints



Flashing Junctures



Comments:

1. Hi-Flex EPDM Lexflash™ II Flashing is cut to appropriate size and applied with Splice Adhesive.

Lap Sealant is required along all exposed edges of all;

- Lexflash II™ Flashing applications
- Factory and field seams within 75 mm (3") of "T" junctures, transitions and flashing applications.
- Field seams passing within 3 m (10') of a drain or scupper.
- Field seams with an edge facing up on a vertical surface.
- Pipe/Drain target patches & repair patches.
- On all vertical seam surfaces, lap sealant must extend to the top inside edge of the parapet.



Overlay Seam Flashing and Sealing Roofing System Detail

Scale: Not to scale
Date: August, 2016
Detail No.: L-S-011b