

From ordinary to  
**extraordinary**



**“eterno”**

Adjustable & Fixed Pedestal Supports



### **Self-Leveling Technology**

- **Adjustable Pedestal Supports**—level uneven surfaces used in concrete, porcelain, wood tiles and decking applications
- **Automatic Self-Leveling Head**—compensates up to a 5% gradient
- **Adjustment Key**—allows adjustment without removing the tile
- **Fixed Supports**
- **IPE Deck Tiles**
- **Reduced Installation Time**

**MRP**

SUPPORTS

— 800.828.8424 —  
[mrpsupports.com](http://mrpsupports.com)





Our Eterno Pedestal Supports meets the following significant criteria used in green building initiatives according to LEED NC LEED Credit. Call or email us to receive more information on our LEED approval.

LEED CREDIT	POINTS	TITLE	FEATURES
SS C6.1 & 6.2	1 & 1	Stormwater Design - Quality & Quantity Control	Previous Flooring System
WE C1.1	2	Water Efficient Landscaping	Supports Water Capturing Systems
EA P2	Prerequisite	Energy Performance	Possible Contribution for Ventilated Roofing System
EA C1	Form 1 to 19		
MR C4	Form 1 to 2	Recycled Content	Post-consumer Content
MR C5	1	Regional Materials (When Applicable)	Production site defined
EQ P3 & C9 (LEED for Schools)	Prerequisite Form 1 to 2	Acoustical Performance	Design & Components Contribute Towards ANSI & STC Standards

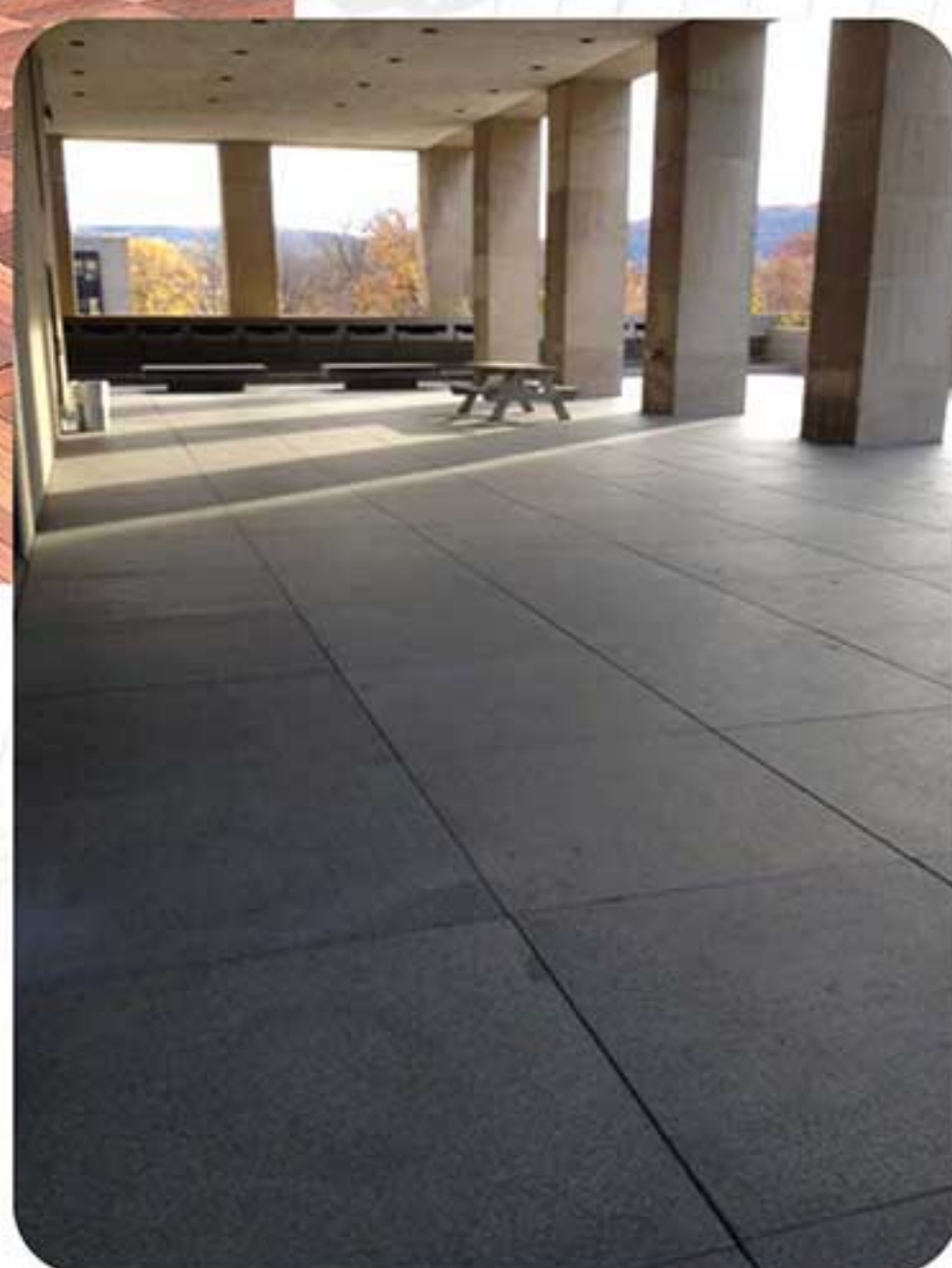
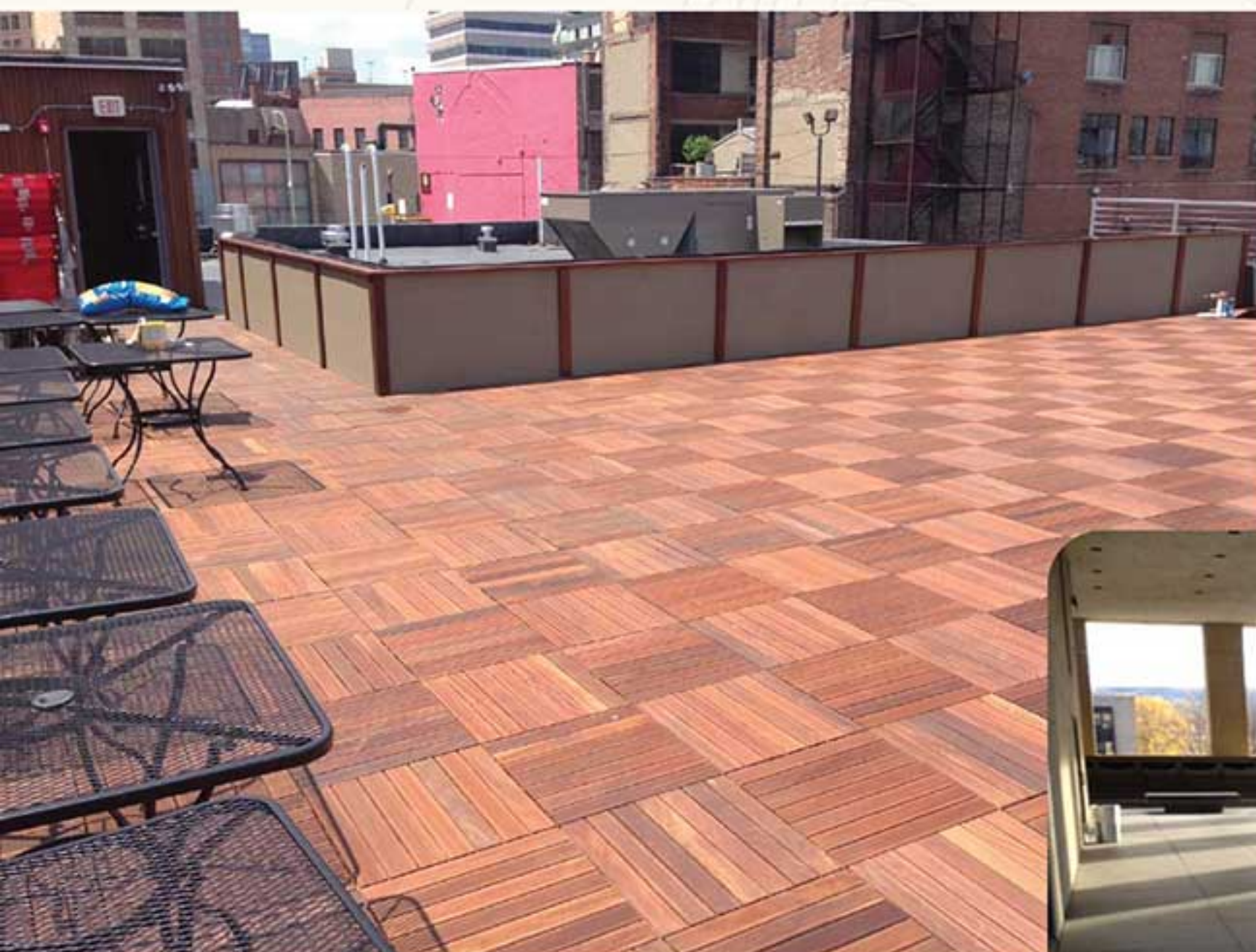


# ORDINARY TO EXTRAORDINARY *self-leveling technology*



## Eterno Adjustable Pedestal Supports

MRP Supports (Eterno) pedestals are designed to support Concrete Pavers, Porcelain Pavers, Wood Deck Tiles and Wood Decking. Our pedestal supports are set on any waterproofing membrane and any other surface to be paved. After an initial adjustment the leveling of the pedestal is completed with extreme precision by using our unique **Adjustment Key** even when all pavers are already placed. Each pedestal is supplied with a Base, Threaded Screw and Head. Our standard **Self-Leveling Head** automatically compensates any gradient up to 5%, which reduces time spent shimming to create a perfectly level surface. Our Self-Leveling Head is also supplied with a bi-component soft rubber material that offers anti-noise and anti-slip. Optional add on components are available for Fixed Head and IPE Deck Tile applications. Our Wood Joist Head is also available for any wood joist applications. Our Supports are 100% Recyclable (LEED Approved), resistance to temperature from -22°F to + 248°F (-30°C - + 120 °C), resistance to acid and UV Stable. Loading capacity of each support is more than 2,205 lbs. and the supporting base is 49.6 sq inches (320 cm<sup>2</sup>).





# ULTIMATE solution to underlying issues of pavers

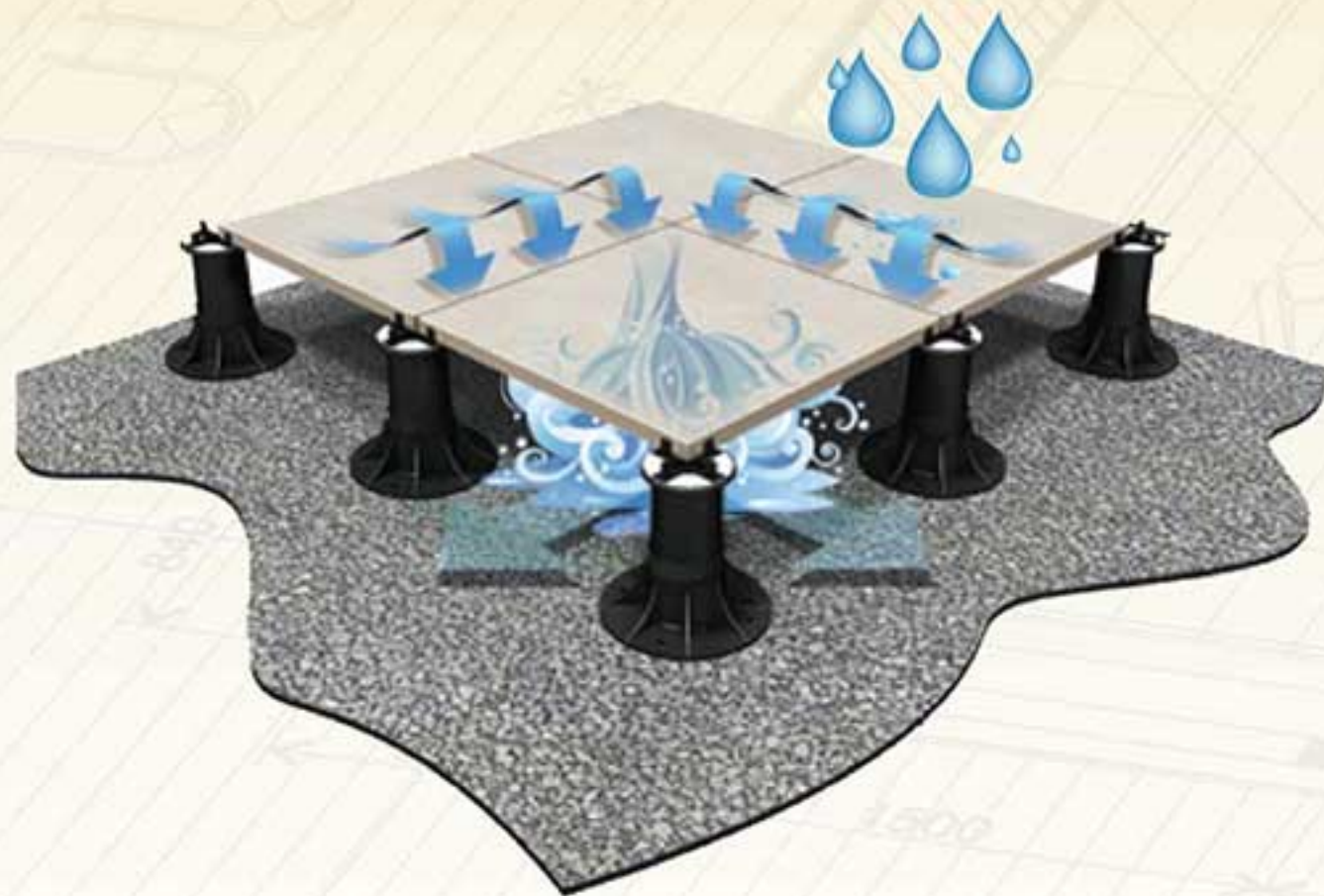
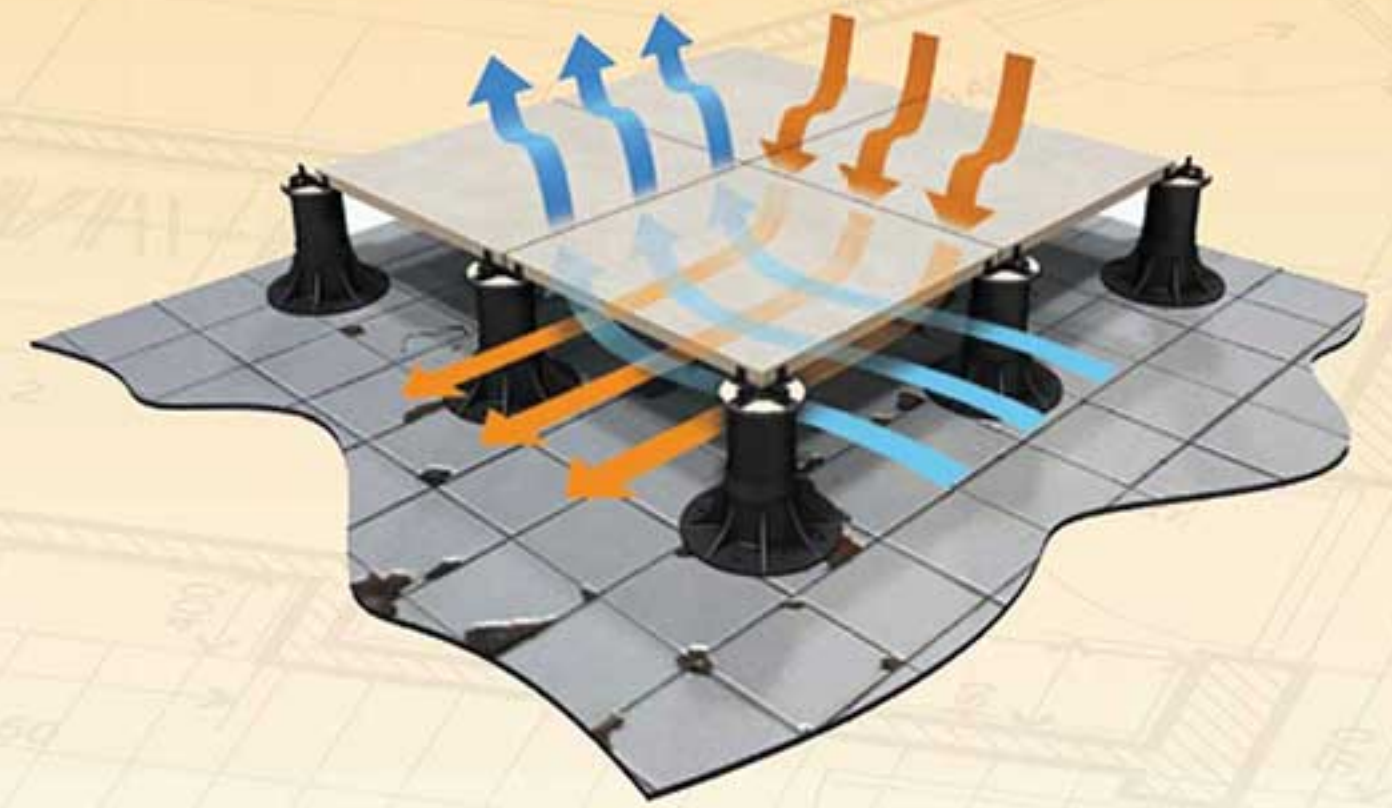


## Excellent for Hiding Pipes & Equipment

The void between the paving and membrane can be used to accommodate pipes and services, but retain ease of access.

## Better Thermal Insulation

The void between the paving and membrane encourages constant air circulation, extending the life of the waterproofing and improving heat insulation and protecting the surface from UV degradation.



## Quick Water Drainage

The small gap between one slab and another allows water to discharge on to the laying surface and facilitate rapid drainage.

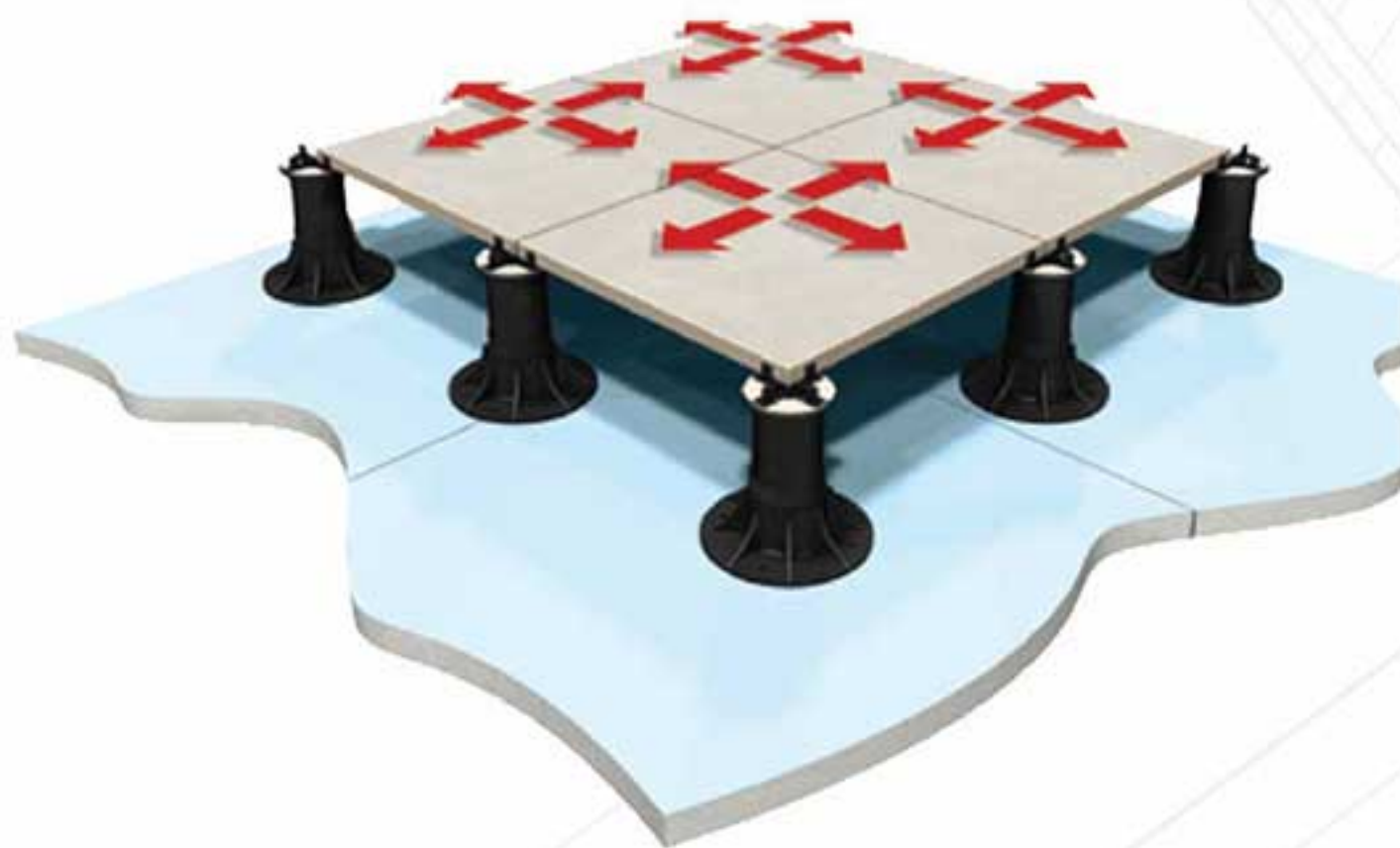
## Always a Flat Paving & Easily Accessible

With the Pedestal system, you can easily compensate for slight unevenness, irregularities and any gradients on the laying surface, creating a perfectly stable and flat paved surface. The pedestal design allows for the underlying surface and any installed services to be accessed and maintained without damaging the paving.



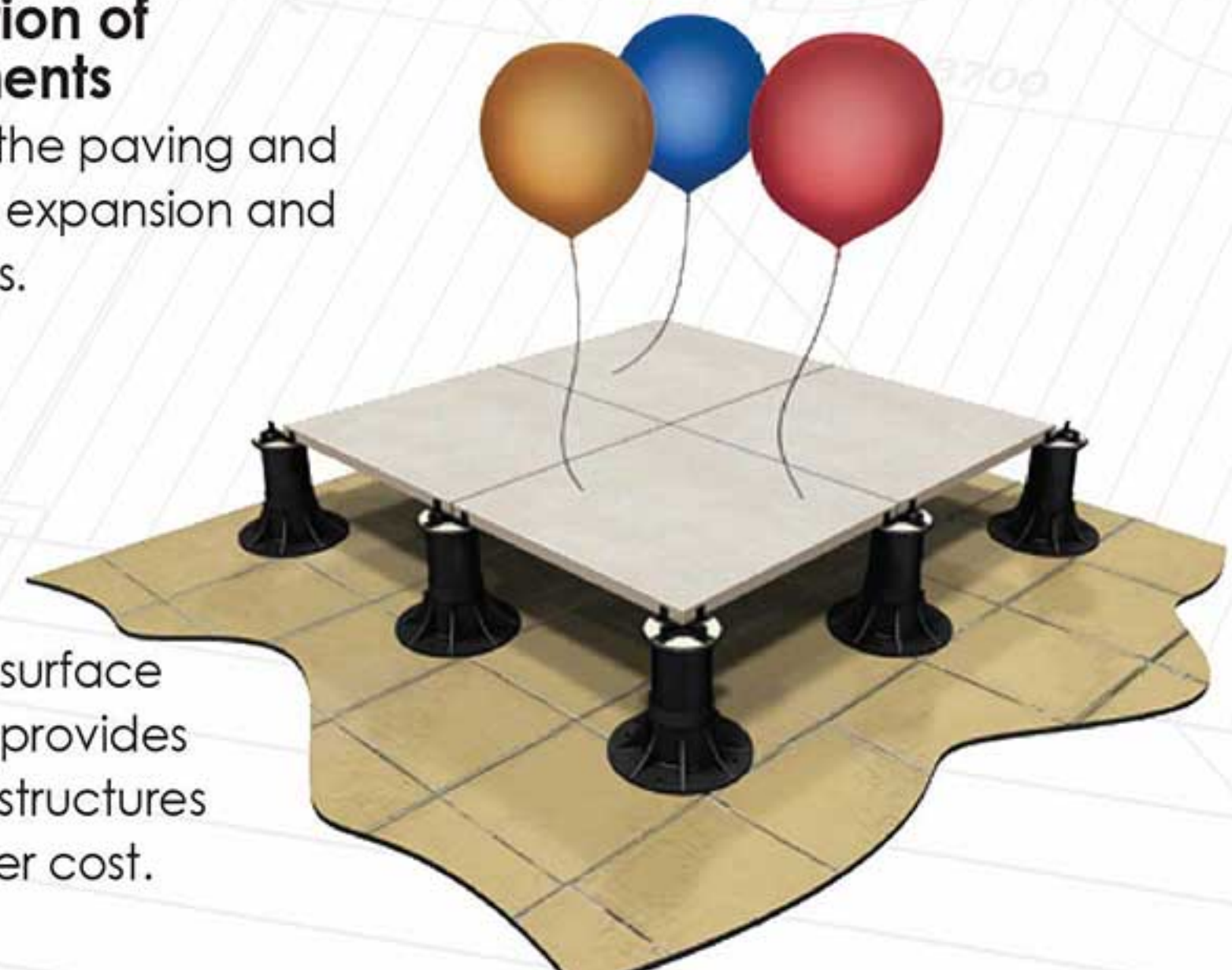
## Excellent Absorption of Structural Movements

Being independent, the paving and supports can absorb expansion and structural movements.



## Significantly Less Weight

With no requirement for special surface preparation the floating system provides a light weight solution, allowing structures to be built at a substantially lower cost.





# THREE-IN-ONE-head

All in One | Self-Leveling Head | Fixed Head | IPE Wood Deck Tiles

## FEATURES:

- 1** 6" Diameter **Self-Leveling Head**  
Larger Head Surface Area
- 2** Bi-Material Head that  
Offers Anti-Noise & Anti-Slip
- 3** Pre-Cut Tab for  
Easy Removal (If Needed)
- 4** Locking Piece for **Fixed Head** Applications  
For Light Tiles (Optional Add On)
- 5** Pins for **IPE Wood Deck Tiles**  
(Optional Add On)

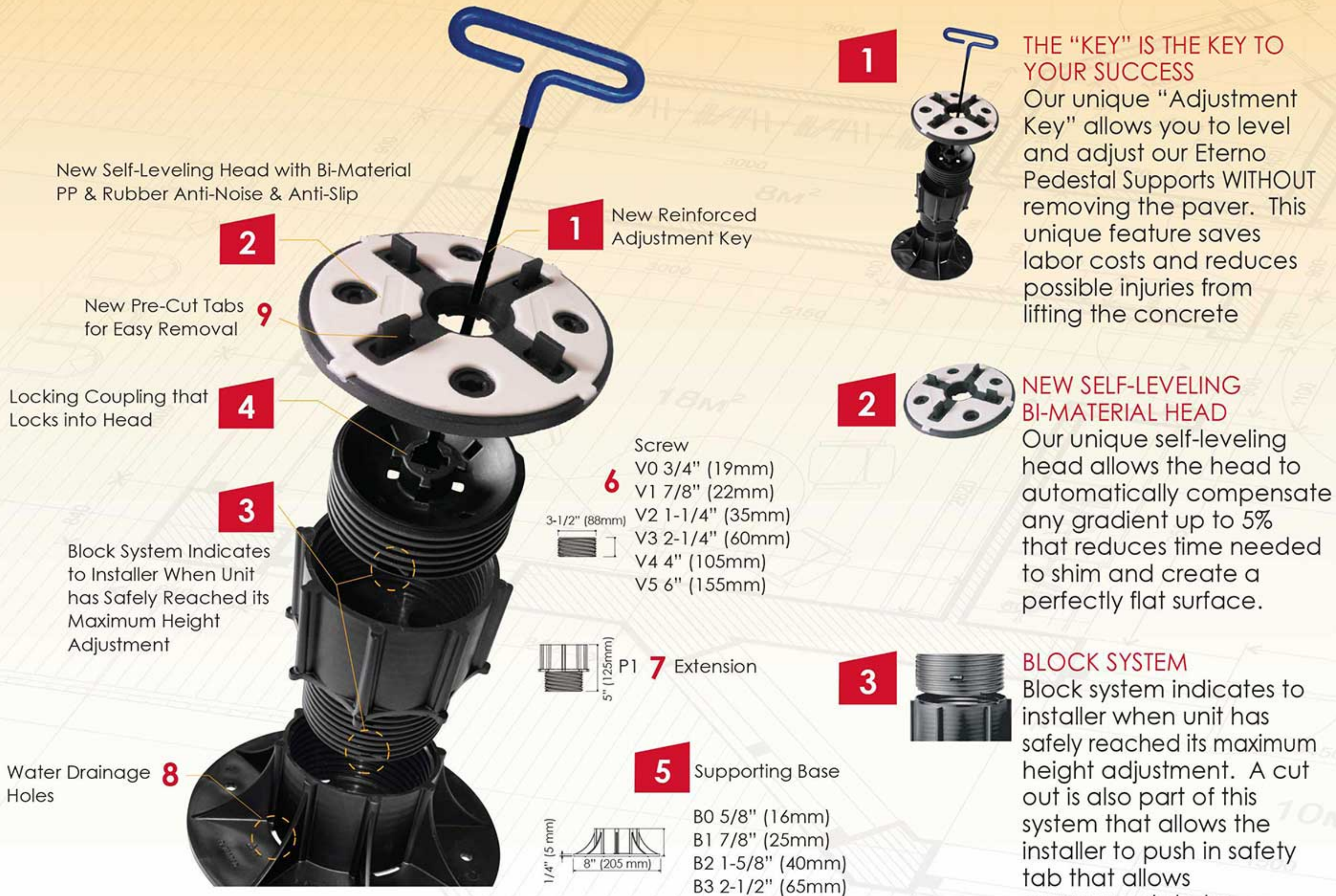




# ETERNO adjustable pedestal supports

Levels Un-Even Surfaces

Concrete Pavers | Porcelain Pavers | Wood Deck Tiles | Wood Decking



**1 THE "KEY" IS THE KEY TO YOUR SUCCESS**  
 Our unique "Adjustment Key" allows you to level and adjust our Eterno Pedestal Supports WITHOUT removing the paver. This unique feature saves labor costs and reduces possible injuries from lifting the concrete

**2 NEW SELF-LEVELING BI-MATERIAL HEAD**  
 Our unique self-leveling head allows the head to automatically compensate any gradient up to 5% that reduces time needed to shim and create a perfectly flat surface.

**3 BLOCK SYSTEM**  
 Block system indicates to installer when unit has safely reached its maximum height adjustment. A cut out is also part of this system that allows the installer to push in safety tab that allows components to be released if necessary.

**4 LOCKING COUPLING**  
 Allows head to be locked into the threaded screw.

**5 BASE PRE-CUT LINES**  
 Base bottom with pre-cut lines for easy and precise cuts when needed for corner placement situations.

### WHAT ARE INSTALLERS SAYING?

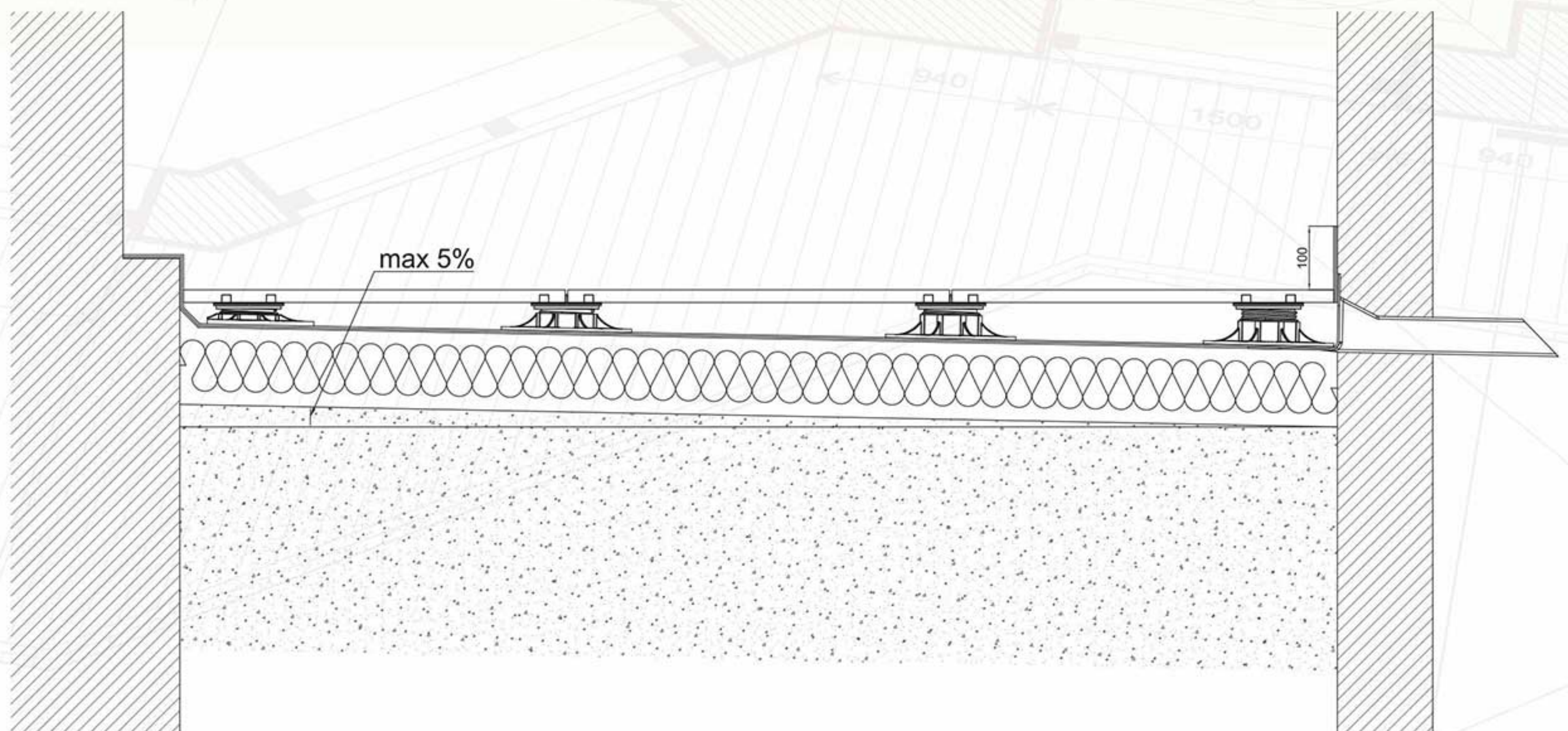
*"The Eterno Adjustable Pedestal Support saves us 30 to 40 % in installation labor because of the UNIQUE FEATURES that no other company has!"*

FEATURES	MRP ETERNO SUPPORTS	COMPETITORS
#1 ADJUSTMENT KEY	Levels Support without removing paver	N/A
#2 SELF-LEVELING HEAD	Automatically Compensates up to a 5% Gradient & Bi-Material Head	N/A
#3 BLOCK SYSTEM	Safety Height Tab	N/A
#4 LOCKING COUPLING	Coupling locks into head	N/A
#5 BASE	Pre-Cut Base for Corner Applications	N/A
#6 SCREW	Different Screw Heights	Same
#7 EXTENSION	Extension for higher requirements	Same
# 8 WATER DRAINAGE HOLES	No Ponding Water	N/A
# 9 PRE-CUT TABS	Easy removal of Tabs when needed	Same



## THE "KEY" is the key to your success

Our Unique "Adjustment Key" allows you to level and adjust our Eterno paver supports **WITHOUT** removing the paver. This saves labor costs and reduces possible injuries from lifting the concrete paver.

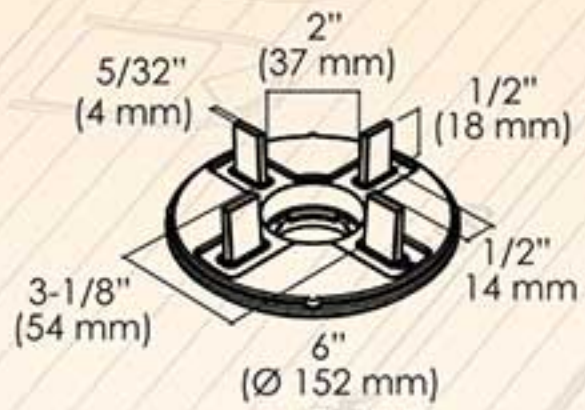




# ETERNO adjustable pedestal support sizes

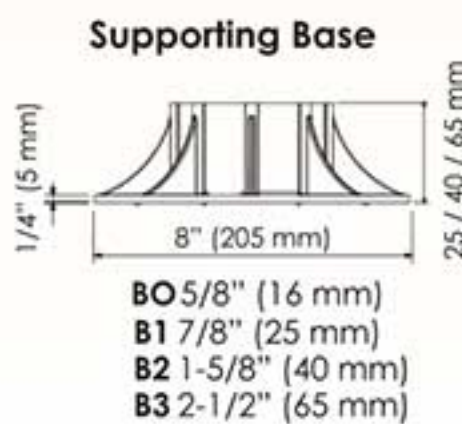
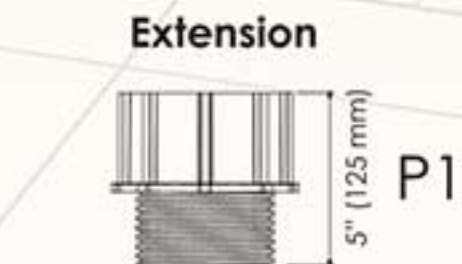


Plus 6" Self-Leveling Head with 5/32" (4 mm) thick tabs.  
\*Stocked Heads



Small 4" Diameter Head Available as a Special Order

### Screw



### COMPONENTS TABLE - SE 6-SE 14

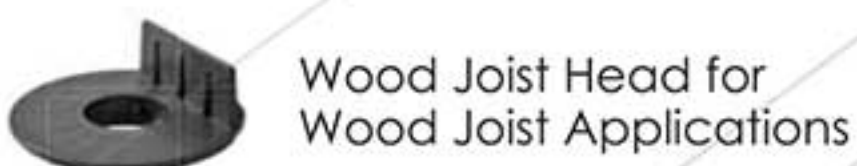
SE6 = SE3 + 1xP1	SE9 = SE3 + 2xP1	SE12 = SE3 + 3xP1
SE7 = SE4 + 1xP1	SE10 = SE4 + 2xP1	SE13 = SE4 + 3xP1
SE8 = SE5 + 1xP1	SE11 = SE5 + 2xP1	SE14 = SE5 + 3xP1



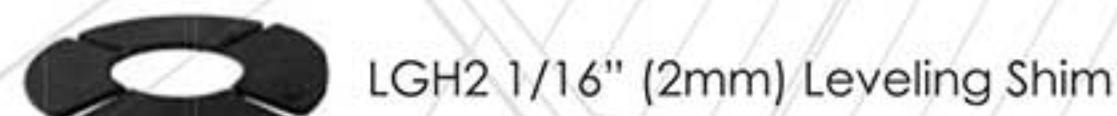
Optional Locking Piece for Fixed Head - Light Tile Applications



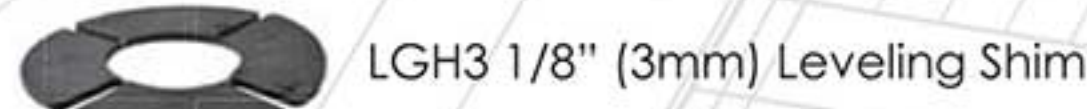
Optional Pins for IPE Tile Applications



Wood Joist Head for Wood Joist Applications



LGH2 1/16" (2mm) Leveling Shim



LGH3 1/8" (3mm) Leveling Shim



LH3 1/8" (3mm) Leveling Shim

**Note:** It is recommended to place additional supports under pavers with heavy objects, such as Planters & Hot Tubs, for extra support!



EH 12



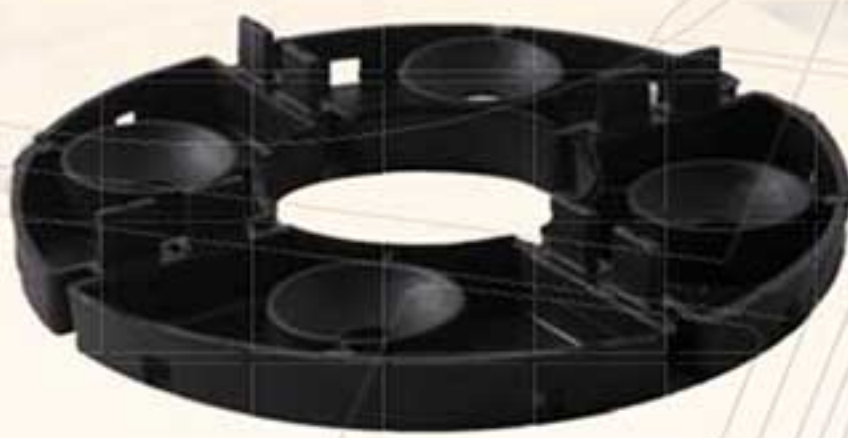
EH 20



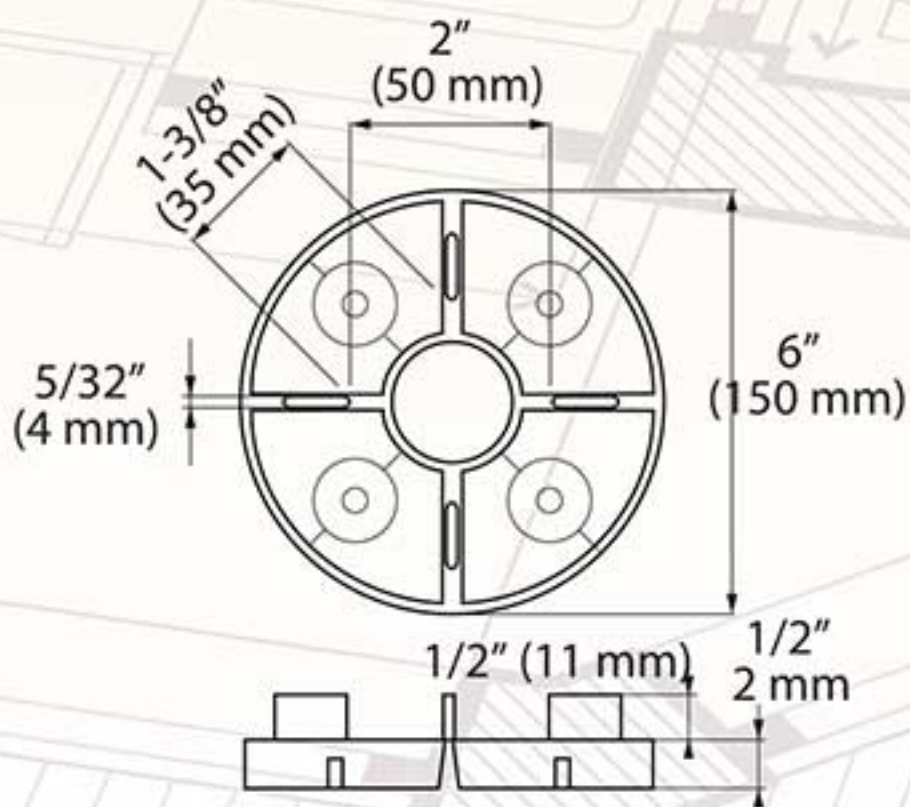
# THE "EH" RANGE fixed height paver support



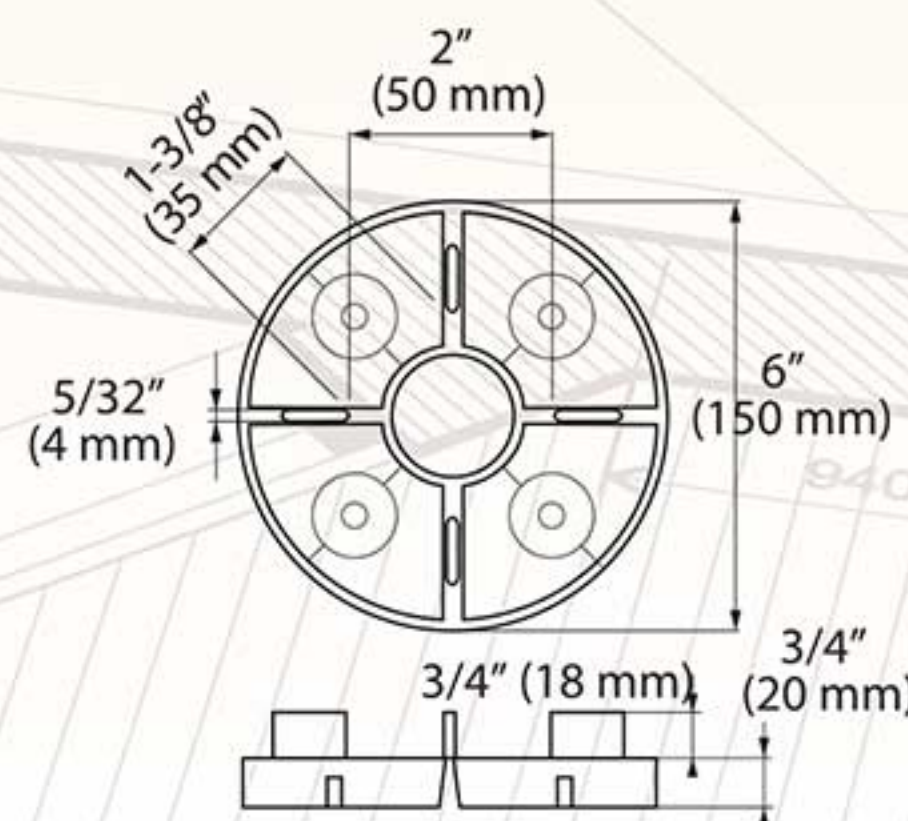
The fixed height supports "EH" are available in 1/2" (12mm) and 3/4" (20mm) heights and can be stacked when needed. Tabs supplied are 5/32" (4mm) and our LH3 leveling shim is also available in 1/8" (3mm) thick.



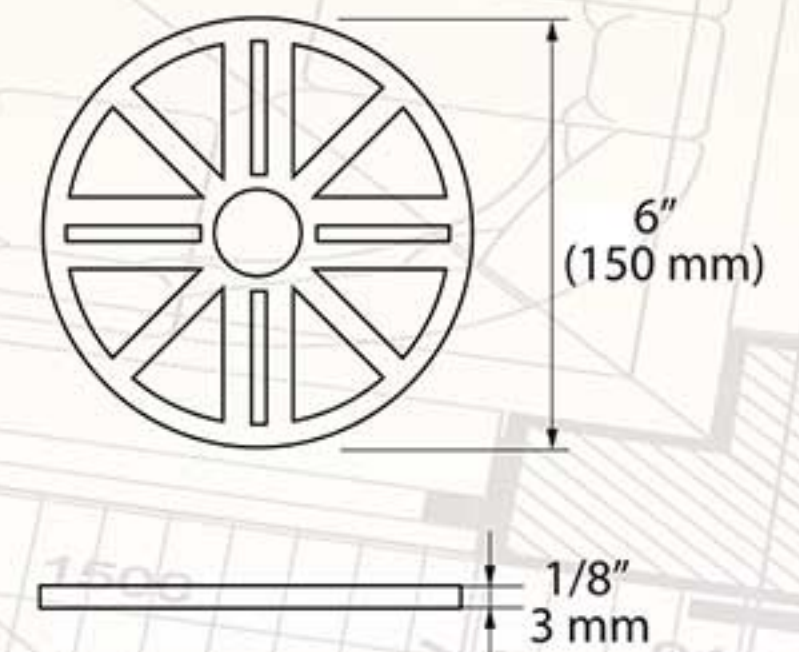
**EH 12**



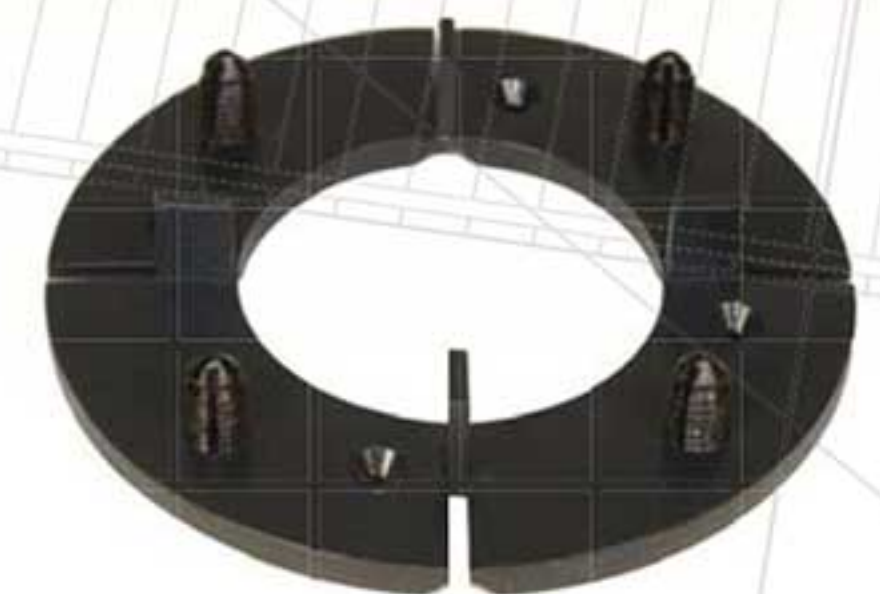
**EH 20**



**LH3**



Introducing the newest addition to our pedestal offerings. The MRP EPDM Pedestal is manufactured from EPDM rubber that provides the ultimate in sound damping that is ideal to be used on any surface, including but not limited to, roof membranes, existing wood decks or concrete patios. With a fixed height of 1/4" the pedestal can be used with both concrete and porcelain pavers. Also available, as an added accessory, are 4 pressure fit pins that are used with IPE Wood Deck pavers. MRP EPDM Pedestals are also divisible into halves or quarters making perimeter application a breeze.



**EPDM Pedestal**

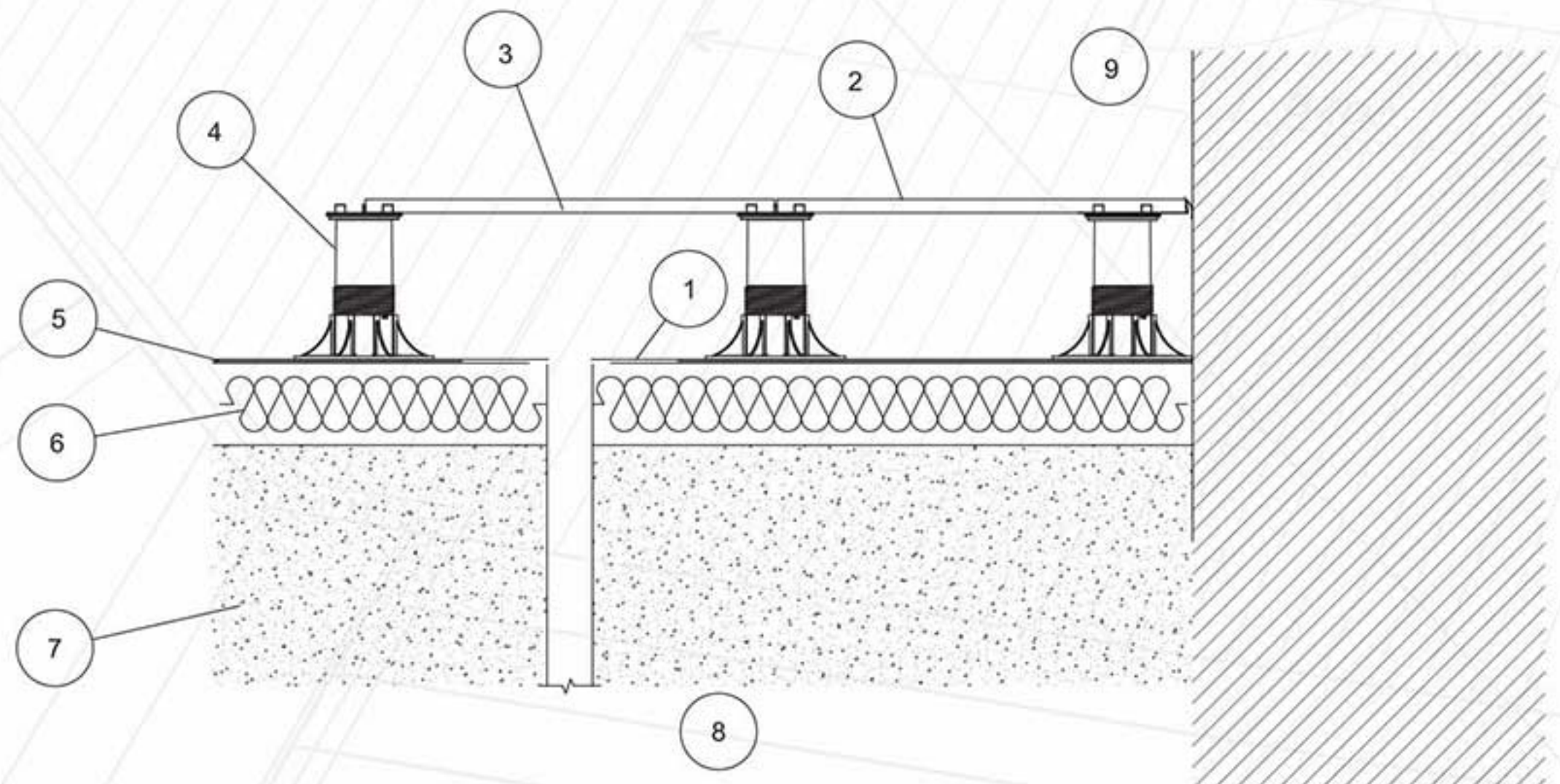
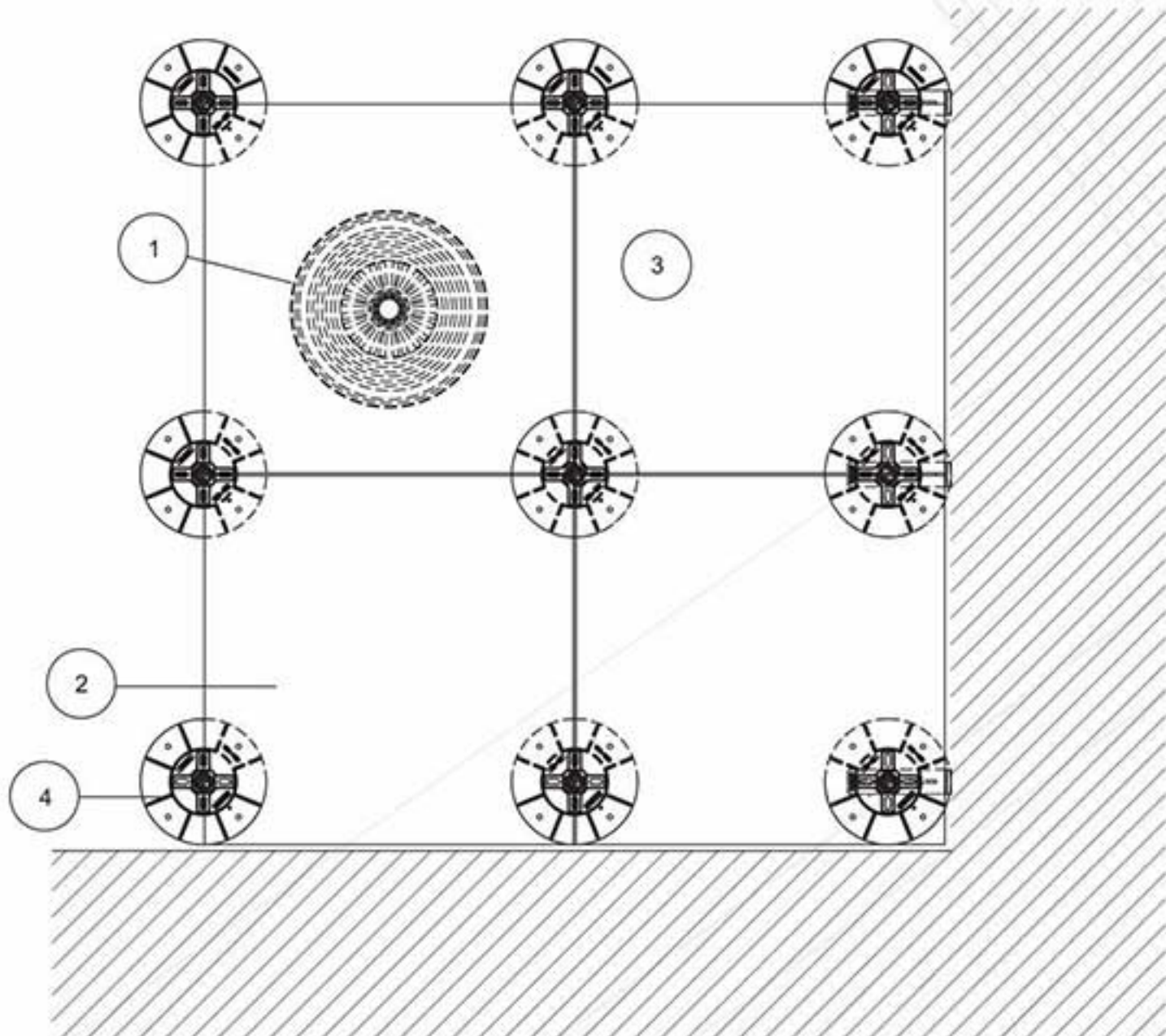




# INSTALLATION of concrete and porcelain pavers

Concrete or Porcelain pavers should be installed using exclusive self-leveling, bi-component head that allows automatic compensation of the imperfections and the slope of the substrate. Our EH fixed supports are also available for heights less than 1.125".

**WARNING:** Verify with paver manufacturer that paver meets or exceeds local codes.

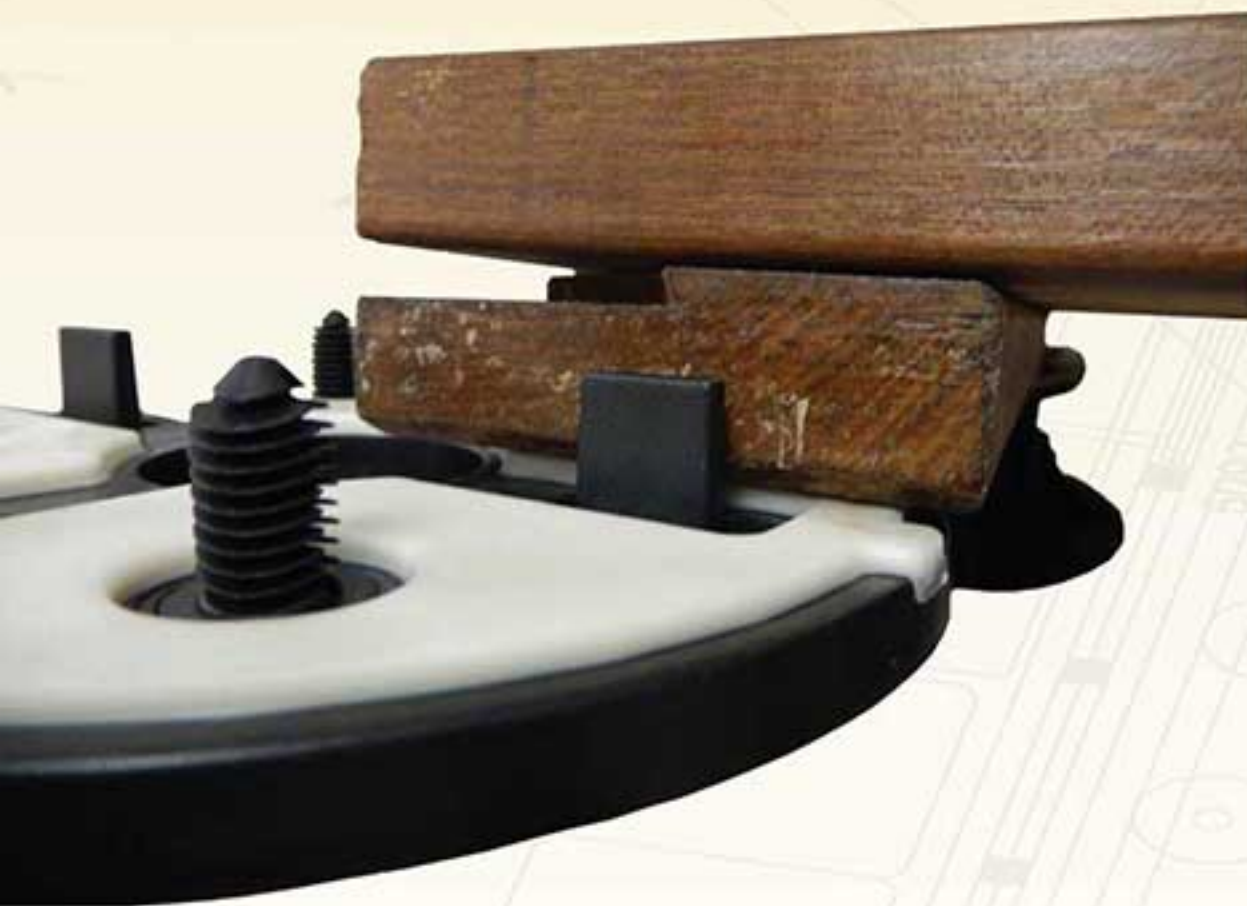




# INSTALLATION of light pavers

Light pavers require the use of our Self-Leveling Head with Locking Fixed Piece. This allows the head to be fixed, as the Self-Leveling Head is not recommended due the light weight of the tile. Installing our IPE Wood Deck Tiles also require our Four Pins that allow the tile to lock into our head. Our EH Fixed supports are also available for heights less that 1.125".

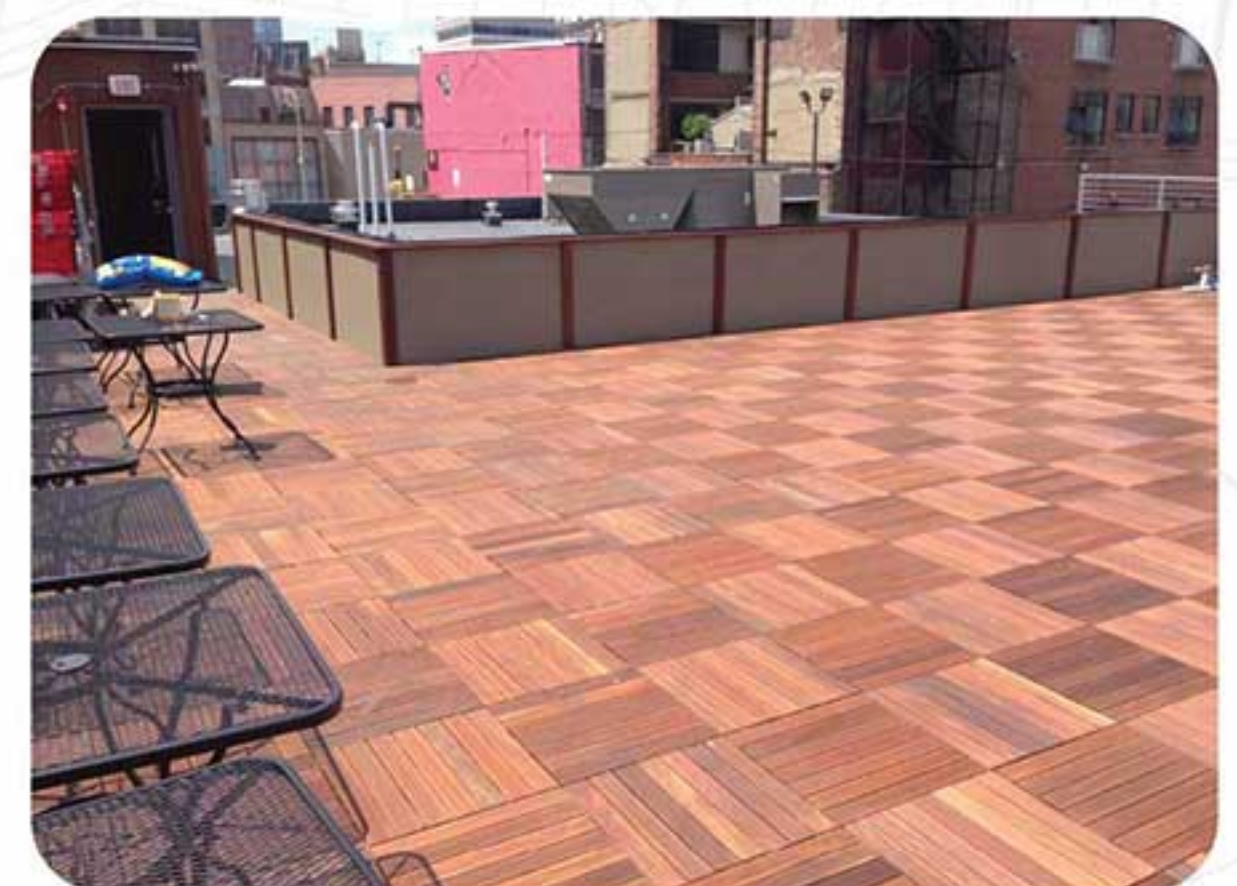
**WARNING:** Verify with paver manufacturer that paver meets or exceeds local codes



Optional Locking Piece for Fixed Head Applications



Optional, Pins for IPE Deck Tile Applications



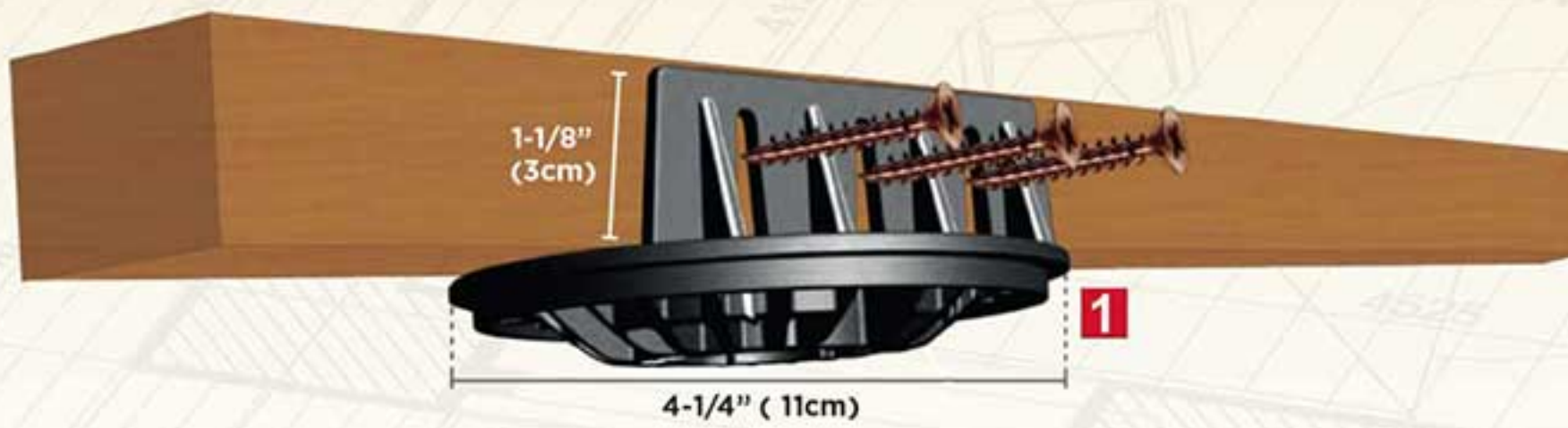


# INSTALLATION of joists and planks

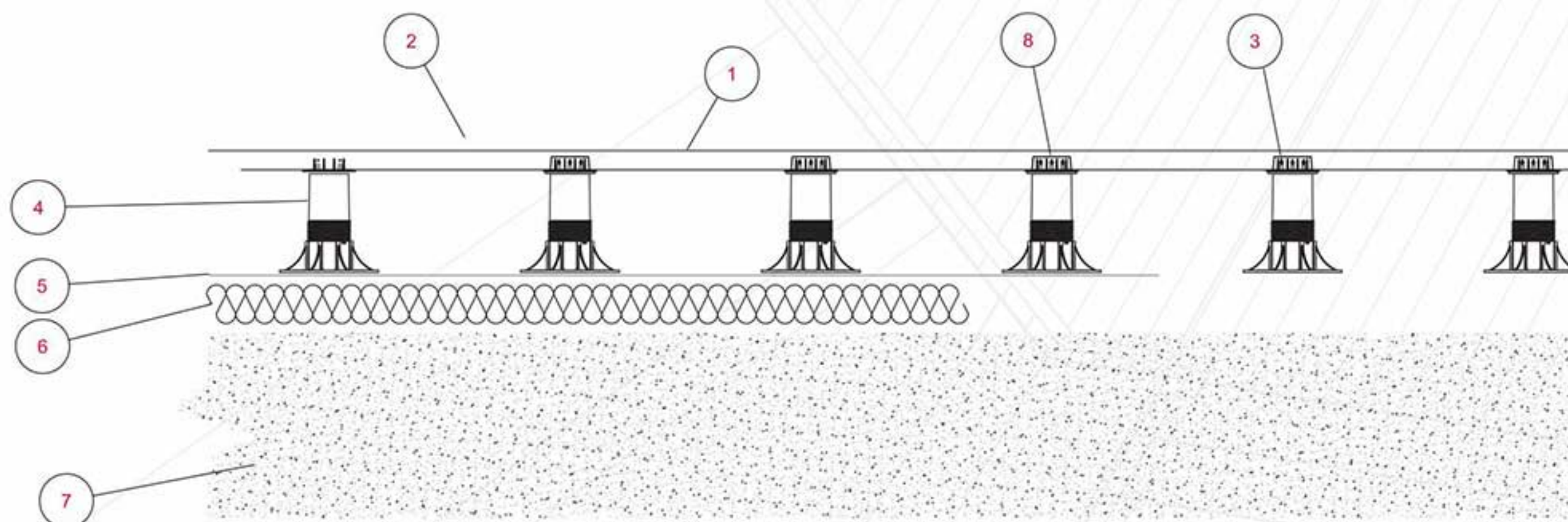
Our Pedestal Supports can be used for all types of substructure joists including wood joists. For this application our standard SE support is used with our exclusive self-leveling wood joist head that is supplied with screw slots to secure the wood joist to our head.

**WARNING:** Check the load resistance of both the joist and the board selected to decide the proper distance to be kept between two supports and between two joists.

**ATTENTION:** The distance between the paving supports depends on the type of joist chosen.



In the SE pedestal range, the great news is, the universal head, for all types of wood joists existing on the market, is equipped with stops that block the rotation of the head 2 in order to adjust the height of the support 3. The new SE self-leveling head for wood joists 1 is the only self-leveling head in the world, which fits all kinds of substructure joists.

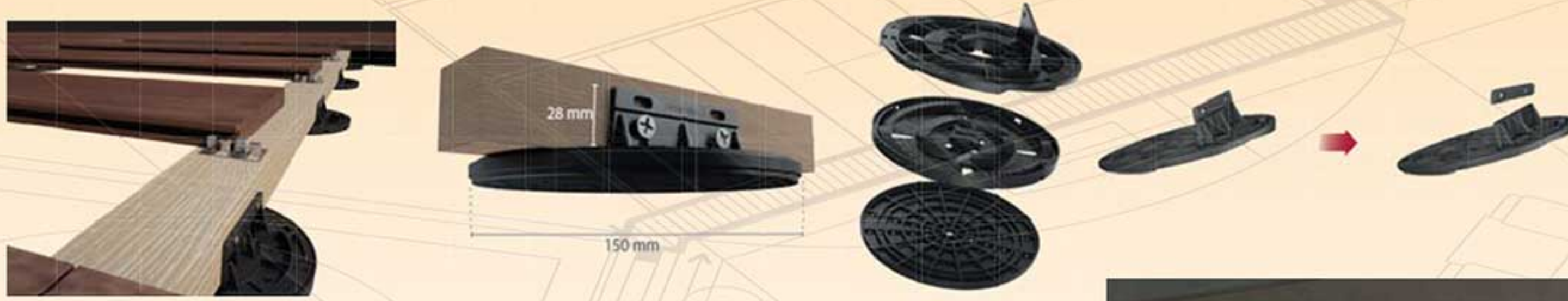


DESCRIPTION [ 1 WOOD JOIST • 2 WOOD DECKING • 3 SCREW • 4 ADJUSTABLE PAVING SUPPORT "ETERNO" • 5 WATERPROOFING MEMBRANE • 6 THERMAL ISOLATION • 7 CONCRETE SLAB • 8 SELF-LEVELING HEAD



# STAR T and B

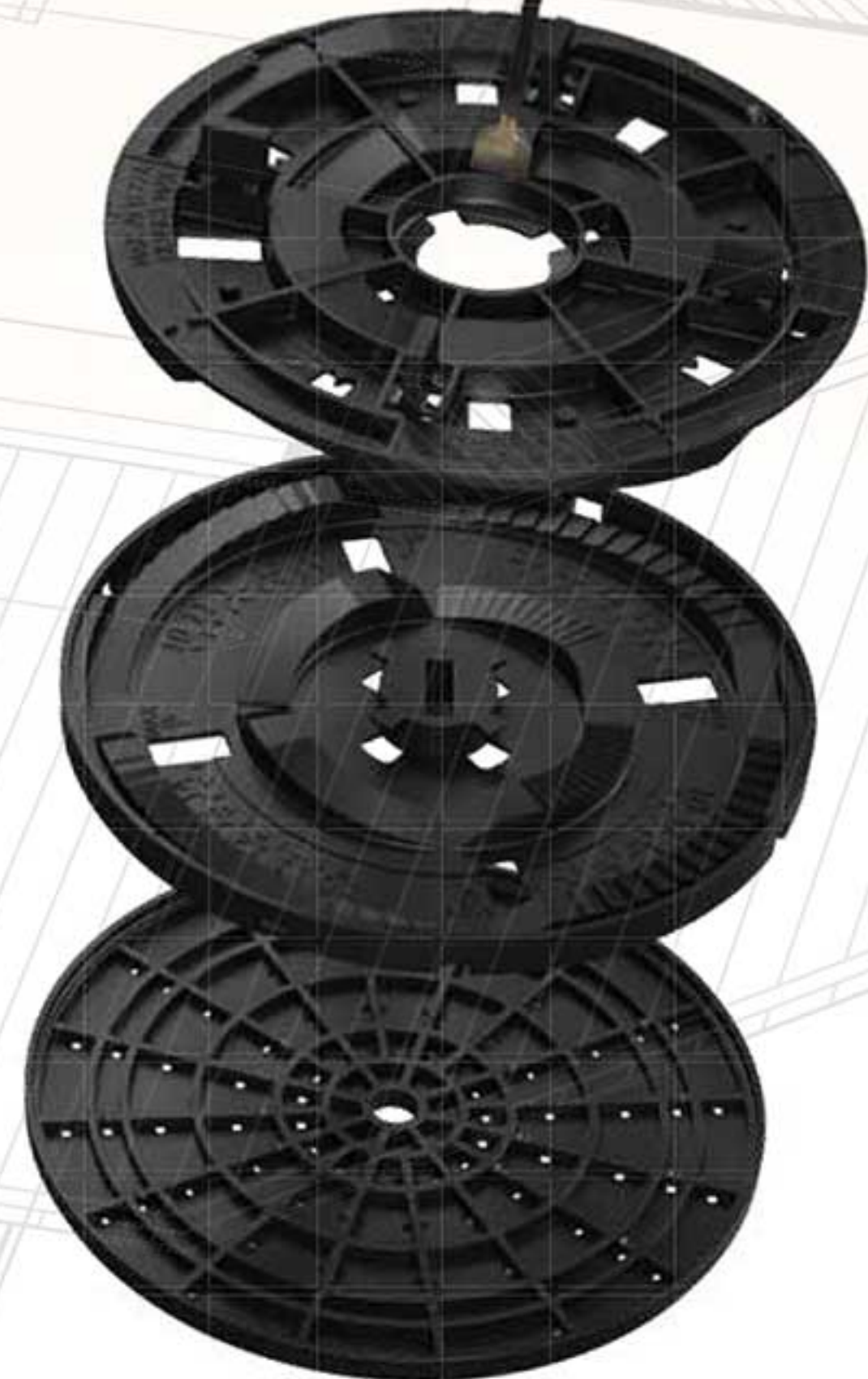
The Star T is adjustable from 3/8" – 9/16" (8-30mm) and is compatible with any type of Concrete, Porcelain, Ceramic or composite material floor of any size and weight. The adjustment of the Star T using our unique Adjustment Tool allows you to make precise adjustments when needed. The Star B is an extension that enables heights to reach the SE0 and NM1 Adjustable Supports. The Star B is placed under the Star T that increases the height of 3/16" (5mm). The maximum number of Star B's to be used is a quantity of three. Our IPE Pins are also available to be used with the Star T when using IPE Wood Deck Tiles that are supplied with pre-drilled holes underneath the IPE.



Star T Head for Wood Joist Applications



Star T Head with Pins for IPE Wood Deck Tile Applications





## NM SERIES *economical alternative with adjustability*

The Eterno NM 'Maxi' range of pedestals from MRP Supports is the very definition of strength and reliability. This range of adjustable pedestals features a cost saving 6" Diameter Fixed Head (rather than the self leveling head on the SE range of pedestals) while retaining classic Eterno pedestal features – complete adjustable height control before and after installation, anti-slip, noise reducing rubber head with inbuilt spacer tabs and strong, UV resistant, polypropylene components.

When installed on sloping surfaces, either shims or our Slope Compensator ensure a level support surface. The Slope compensator compensates from 0 – 1 %.

Suited for any self-supporting outdoor paving system, the NM 'Maxi' Series is an elegant, cost effective solution to your elevated decking needs.

Our Unique Adjustment Tool allows the installer to precisely level the pavers after installation without having to lift or remove any pavers. You simply insert the tool from above into a slot in the pedestal head via the gap between the pavers and turn it clockwise or anticlockwise to adjust the height.



### Advantages

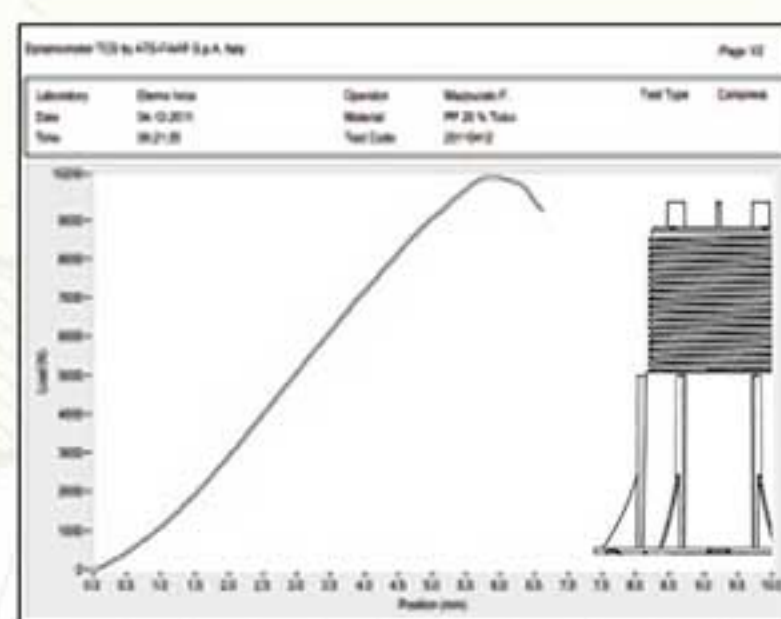
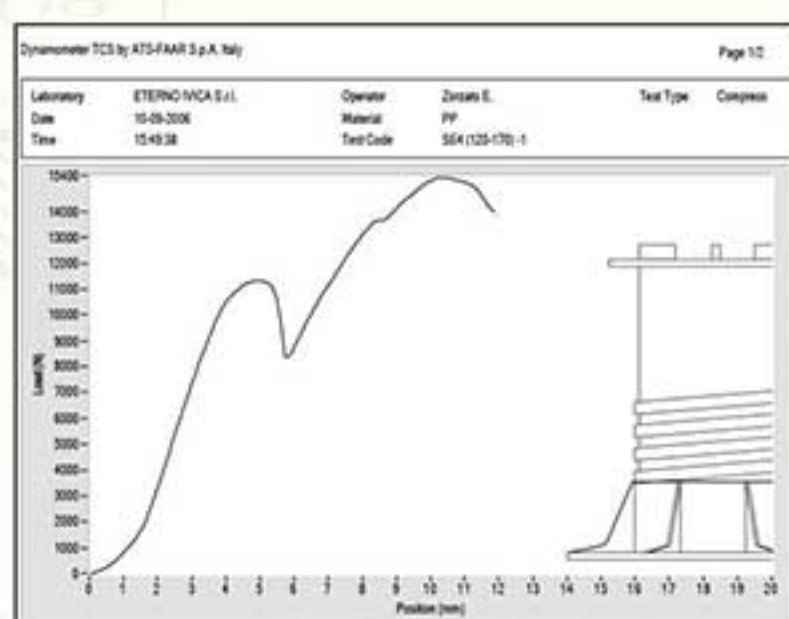
- Adjustable height from 1" – 10.63" (25-270mm)
- Adjusting the height with our exclusive adjustment key
- 320 cm<sup>2</sup> smooth base support
- Recyclable
- Resistance to temperatures between -40°– 248°F (-40° – 120°C)
- Resistance to acids and ultraviolet deterioration
- Suitable to any self-supporting outdoor paving system
- Head with noise-reducing and anti-slip rubber
- Easy to remove tabs
- Load tests available
- Compatible with "Twist" Slope compensator (0 – 1 %)





# HIGHEST QUALITY, reliability & security | SOFTWARE for pedestals layout

Our number one priority is to ensure the highest quality, reliability and security. This is achieved in our modern Research and Development Laboratories where we submit raw materials and finished products for specific tests and controls to ensure all of our products conform to the highest standards and allow us to achieve sustainable improvement. In addition to ISO 9001/2008, the SA 8000 certification also recognizes ethical, policy-oriented social rights throughout the whole supply chain.



TYPE	QTY	UNIT
1	1000	1000
2	1000	1000
3	1000	1000



Part of our commitment to customer service is our new Pedestal Software. A CAD program that allows easy, simple and precise calculations not only for the number and type of paving supports needed, but also the total area size, number of full and cut tiles and much more!







**The industry leader  
for features and quality.**

**MRP**

SUPPORTS

800.828.8424

[mrpsupports.com](http://mrpsupports.com)

3310 N. Benzing Road  
Orchard Park, NY 14127-1538

