

FLASH-TITE SUPERDRAINS ROOF DRAINS

DESCRIPTION & USE

Premium roof drains for use in all low slope roofs applications. Compatible with single ply, built-up or modified bitumen roofing membranes. Available in a "new construction" design or a "retrofit" insert design for reroofing applications. Available in copper and aluminum.

FEATURES & BENEFITS

A Flatter Flange - Fits more "wrinkle-free" into the hopper.

Drainage right down to the membrane - 4 open channels on clamping ring and 3 open channels on strainer to allow for maximum water drainage.

Heavy-Duty Construction - Matt finish, cast aluminum clamping ring and strainer provide exceptional resistance to vandalism. Secured with a stainless steel 6.35 mm (1/4") bolt, the strainer design resists loss or theft. Copper hoppers are welded (versus soldered) to resist failure from high temperature roofing torches.

Mechanical Membrane Securement - Heavy duty clamping ring mechanically securest the roofing membrane to the drain.

Separate Clamping Ring & Strainer - Can be removed for cleaning without affecting the clamping ring or membrane seal.

Full Insulating Value - Flat, funnel-less designs permits rapid drainage without compromising the full thickness of the surrounding roof insulation.

Choice of Design - Bodies are available in a choice of heavy gauge 2.1 mm (0.081") seamless spun aluminum hopper or 24 oz - 0.81 mm (0.032") welded copper.

TECHNICAL DATA

Physical Dimensions	
Strainer Height:	185 mm (7.25")
Downspout Length:	305 mm (12")
Flange Diameter:	432 mm (17")

Drain Dimensions	
New Constructions Drains Sizes	Retrofits Drains Sizes
51 mm (2")	44 mm (1.75") to fit a 51 mm (2") nominal drain pipe.
76 mm (3")	70 mm (2.75") to fit a 76 mm (3") nominal drain pipe.
102 mm (4")	95 mm (3.75") to fit a 102 mm (4") nominal drain pipe.
152 mm (6")	146 mm (5.75") to fit a 152 mm (6") nominal drain pipe.



Clamping Ring - Average Water Flow = 565 L per hour.

Note: * Custom pipe lengths are available for copper. Please contact LEXCOR with your request *

Options

Refer to the appropriate data sheet for more information.

- Drain Seal (Maxxflo recommended)
- Integrated Deck Clamp
- Under Deck Clamp
- Flow Control Insert
- Ballast Guard
- Pre-fabricated Target Patch
- Painted Strainer (White Polyester Powder Coating; Paint Thickness 3 mm (0,118"))
- Securement Ring.
- LEXHEAT Self-Regulating Heat Plate

INSTALLATION

Install the roof insulation and roof membrane, cutting an appropriate sized hole through both materials over the drain pipe. If using a pipe seal, connect it to the SuperDrain downspout. Insert the drain downspout into the drainage pipe, ensuring a proper drain-to-pipe seal. Adhere the drain hopper flange to the top of the underlying roof membrane using a membrane compatible adhesive. If desired, the drain may also be mechanically fastened to the structural deck with insulation screws (recommended). Fasten 4 screws 25 mm (1") in from the edge of the flange. Alternatively, use the FLASH-TITE DECK CLAMP.



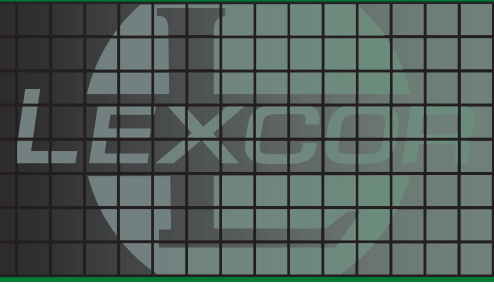
COMMERCIAL BUILDING PRODUCTS

Ontario & Western Canada 1.800.268.2889 / Quebec & Atlantic 1.800.363.2307

Distr. By/Par Lexsucu 2010 Corporation, 3275 Orlando Drive, Mississauga, ON, L4V 1C5

02082024

FLASH-TITE SUPERDRAINS ROOF DRAINS



Adhere appropriate membrane flashing overtop of the drain flange, bringing it up to the edge of the downspout. Apply a membrane compatible sealant along the edge of the membrane flashing.

Install any drain accessories as required. Install clamping ring by fastening down 4 to 8 nuts (do not over tight). Tighten the strainer down to the clamping ring with the strainer retaining bolt. Complete membrane flashing detail.

SPECIFICATION

FLASH-TITE SUPERDRAIN

Spec Note: Choose desired choice from alternative option in square brackets.

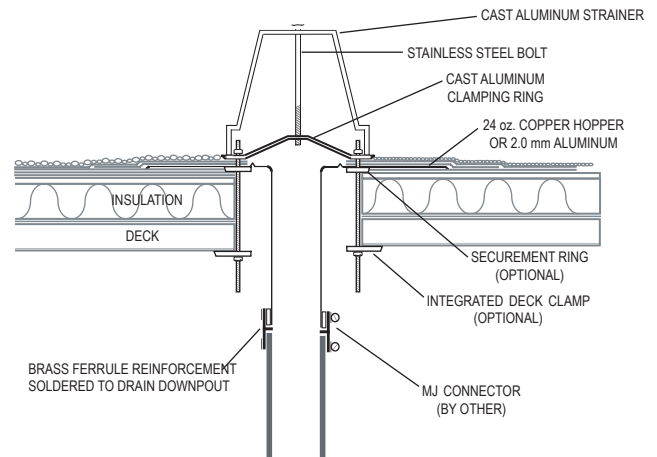
1. Description: [New Construction; Retrofit] Drain hopper shall consist a [24 oz - 0.81 mm (0.032") thick spun copper hopper welded to a DWV copper downspout; 2.1 mm (0.081") seamless spun aluminum].
2. Flange shall be fixed with 4 or 8 clamping ring studs to receive clamping ring and strainer. Strainer and clamping ring shall be fabricated from sand blasted, matt finish, heavy duty cast aluminum. Strainer [polyester based powder coat finish] shall be a 184 mm (7.25") high, secured to the drain clamping ring with a 6 mm (1/4") single stainless steel bolt.
3. Clamping ring shall have 4 open channels to allow for maximum water drainage.
4. Drains shall be supplied with [Stainless Steel Ballast Guard; Flow Control Insert].
5. Drains shall be inserted into the drain pipes as shown on the shop drawings and secured to the deck with the [Integral Deck Clamp (IDC); Under Deck Clamp (UDC)] secured tightly to the underside of the deck. Seal the drain to the drainpipe with the appropriate size [Maxxflo Retrofit Roof Drain Seal; FLASH-TITE DRAIN SEAL; mechanical joint connector].
6. Flash the drains into the roofing system in accordance with [NRCA guidelines; CRCA guidelines; the requirements of the roof membrane manufacturer]. Install clamping ring over membrane and secure tightly to the flange with stainless steel nuts and washers.
7. ACCEPTED PRODUCT: LEXCOR FLASH-TITE SUPERDRAIN by Lexsuco Corporation (www.lexsucocorporation.com, Tel: 800.268.2889, E-Mail: info@lexsucocorp.com).

WARRANTY

This product's lifetime warranty ensures it remains free from manufacturing defects and will perform its intended function throughout the entire lifespan of the roofing system.

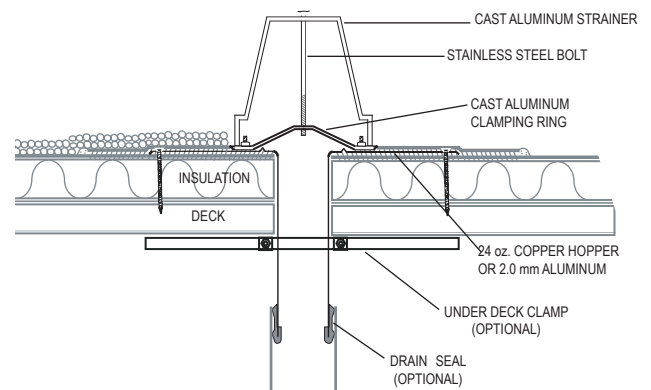
New Construction SuperDrain Built-Up Roof Flashing

Modified Bitumen Flashing



Retrofit SuperDrain Built-Up Roof Flashing

Adhered Membrane Flashing



COMMERCIAL BUILDING PRODUCTS

Ontario & Western Canada 1.800.268.2889 / Quebec & Atlantic 1.800.363.2307

Distr. By/Par Lexsuco 2010 Corporation, 3275 Orlando Drive, Mississauga, ON, L4V 1C5