

# FLASH-TITE

## FLIP-TOP DRAINS

### ROOF DRAINS

#### DESCRIPTION & USE

FLASH-TITE FLIP-TOP DRAINS are premium roof drains for use in all low slope roofs applications. Compatible with single ply, built-up or modified bitumen roofing membranes. Cast aluminum strainer doubles as a clamping ring. Available in a "new construction" design or a "retrofit" insert design for reroofing applications.

#### FEATURES & BENEFITS

**A Flatter Flange** - Fits more "wrinkle-free" into the hopper.

**Drainage right down to the membrane** - Permits drainage right down to the top of the membrane.

**Heavy-Duty Construction** - Standard cast aluminum clamping ring and strainers provide exceptional resistance to vandalism. Copper hoppers are welded (versus soldered) to resist failure from high temperature roofing torches.

**Mechanical Membrane Securement** - Strainers come complete with an integral clamping ring that mechanically secures the roofing membrane to the drain. Leakage resulting from membrane separation is minimized.

**Single Point Strainer Release** - Strainers can be quickly opened for drain cleaning.

**Membrane Edge Stop** - Provides for more effective edge sealing and peel up resistance.

**Full Insulating Value** - Flat, funnel-less design permits rapid drainage without compromising the full thickness of the surrounding roof insulation.

**Choice of Design** - Bodies are available in a choice of heavy gauge 2 mm (0.080") seamless spun aluminum hopper or welded copper.

#### TECHNICAL DATA

Refer to the details for manufacturing specifications.

##### Sizes

New Constructions Drain Sizes: 50.8 mm (2"), 76.2 mm (3"), 101.6 mm (4"), 152.4 mm (6"), 203.2 mm (8"), 254 mm (10").

##### Retrofits Drains Sizes

44.45 mm (1.75") to fit a 50.80 mm (2") nominal drain pipe

69.85 mm (2.75") to fit a 76.20 mm (3") nominal drain pipe

92.25 mm (3.75") to fit a 101.60 mm (4") nominal drain pipe

146.05 mm (5.75") to fit a 152.40 mm (6") nominal drain pipe



#### Options

Refer to appropriate data sheet for more information:

- Drain Seal
- Integrated Deck Clamp
- Flow Control Insert
- Ballast Guard
- Painted Strainer (White Polyester Powder Coating; Paint Thickness = 3 mm)
- Securement Ring

#### STRAINER COVER INSTRUCTIONS

##### Removing Cover of Strainer

- Remove screw from the cover
- Turn cover counterclockwise to line up the bumps of the cover and strainer.
- Pull or flip cover upwards to remove the cover

##### Placing Cover on Strainer

- Line up the bumps of the cover and strainer to set the cover in place.
- Turn cover clockwise to line up to the screw hole on the strainer.
- Insert the screw on the cover to the strainer.



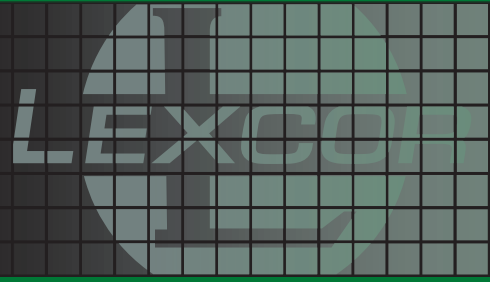
#### COMMERCIAL BUILDING PRODUCTS

Ontario & Western Canada 1.800.268.2889 / Quebec & Atlantic 1.800.363.2307

Distr. By/Par Lexsuco 2010 Corporation, 3275 Orlando Drive, Mississauga, ON, L4V 1C5

01082024

# FLASH-TITE FLIP-TOP DRAINS ROOF DRAINS



## SPECIFICATION

### FLASH-TITE FLIP-TOP DRAINS

**Spec Note:** Choose desired choice from alternative options in square brackets.

[New Construction; Retrofit] Drain hopper shall consist a [0.8 mm (24 oz.) thick spun copper hopper welded to a DWV copper downspout; 2.0 mm (0.080") seamless spun aluminum].

Flange shall be fixed with four clamping ring studs to receive clamping ring and strainer. Strainer [polyester based powder coat finish] shall be fabricated from heavy duty cast aluminum complete with a hinged top, lockable with a vandal resistant stainless steel screw.

Drains shall be supplied with [Stainless Steel Ballast Guard; Flow Control Insert].

Drains shall be inserted into the drain pipes as shown on the shop drawings and secured to the deck with the [Integral Deck Clamp (IDC); Under Deck Clamp (UDC)] secured tightly to the underside of the deck. Seal the drain to the drainpipe with the appropriate size [Flash-Tite Drain Seals; mechanical joint connector].

Flash the drains into the roofing system in accordance with [NRCA guidelines; CRCA guidelines; the requirements of the roof membrane manufacturer]. Install clamping ring over membrane and secure tightly to the flange with stainless steel nuts and washers.

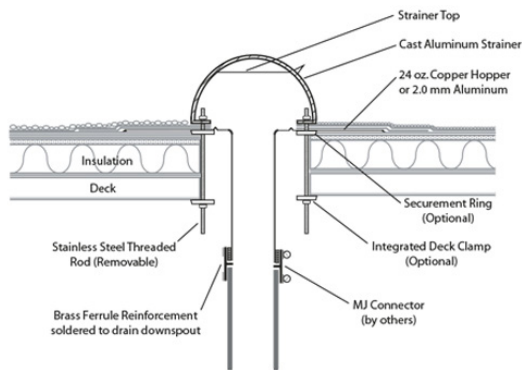
ACCEPTED PRODUCT: LEXCOR FLASH-TITE FLIP-TOP DRAINS by Lexsuco Corporation ([www.lexsucorporation.com](http://www.lexsucorporation.com)) Tel:800.268.2889, E-Mail: [info@lexsucorp.com](mailto:info@lexsucorp.com).

## WARRANTY

This product's lifetime warranty ensures it remains free from manufacturing defects and will perform its intended function throughout the entire lifespan of the roofing system.

Built-Up Roof Flashing

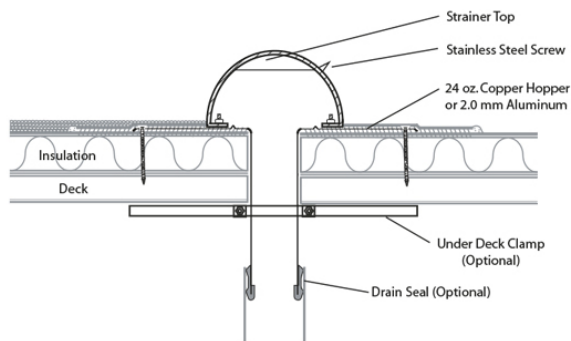
Modified Bitumen Flashing



New Construction Flip-Top Drain

Ballasted Single-Ply Flashing

Adhered Single-Ply Flashing



Retrofit Flip-Top Drain



## COMMERCIAL BUILDING PRODUCTS

Ontario & Western Canada 1.800.268.2889 / Quebec & Atlantic 1.800.363.2307

Distr. By/Par Lexsuco 2010 Corporation, 3275 Orlando Drive, Mississauga, ON, L4V 1C5